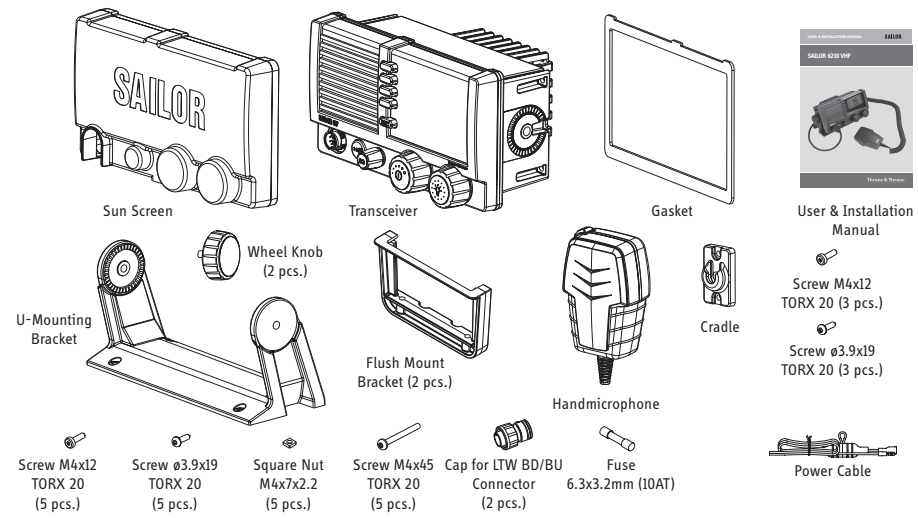
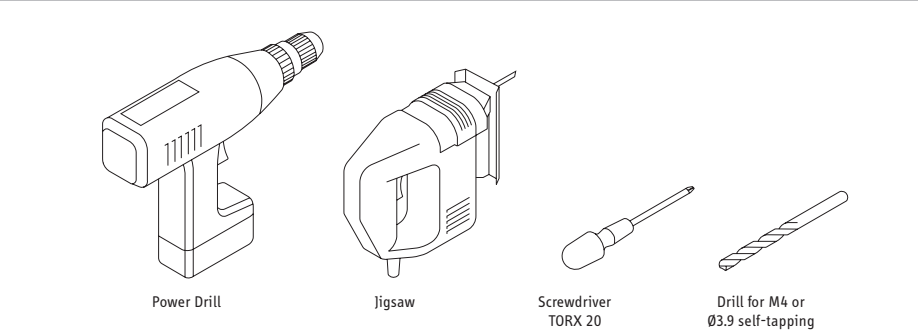


SAILOR 6210 VHF

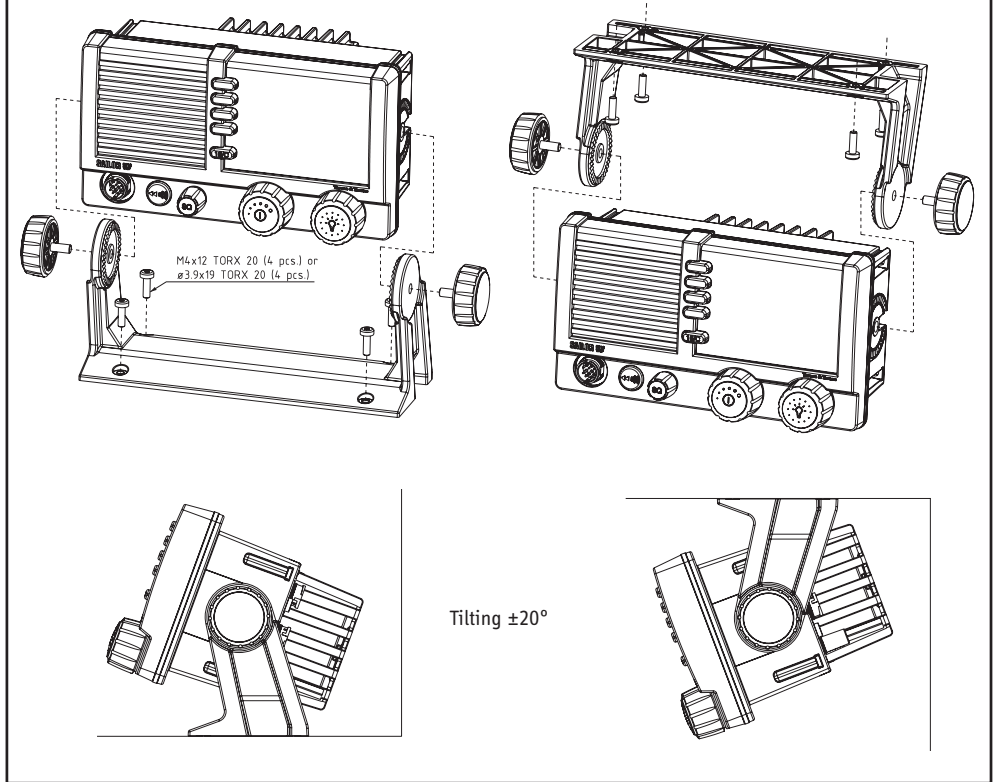
What's in the box?



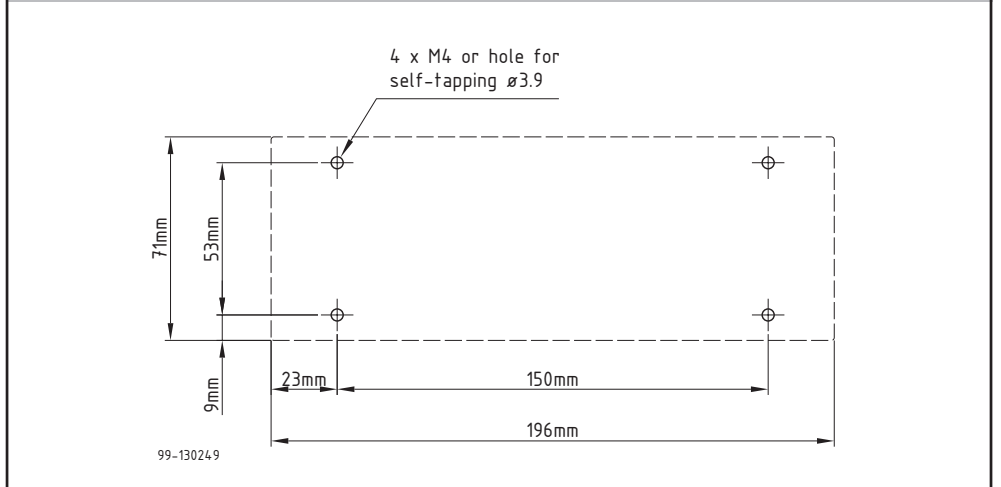
What do I need to fit it?



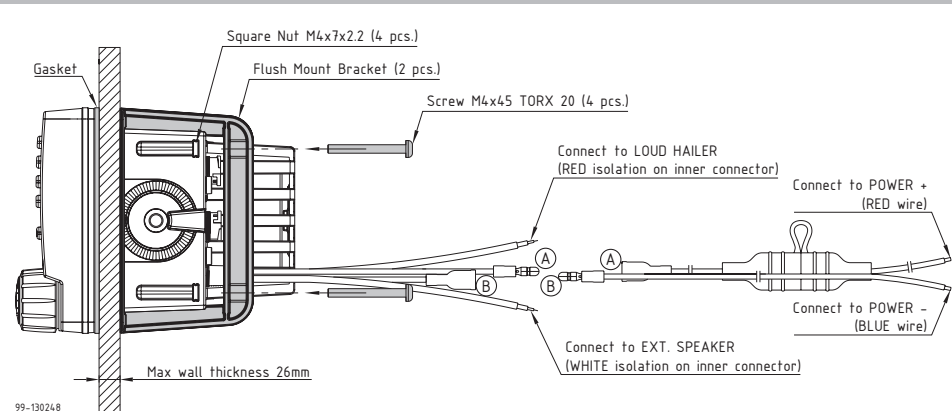
How to install the VHF on desktop and overhead



Drilling plan on desktop and overhead



How to install the VHF flush mount

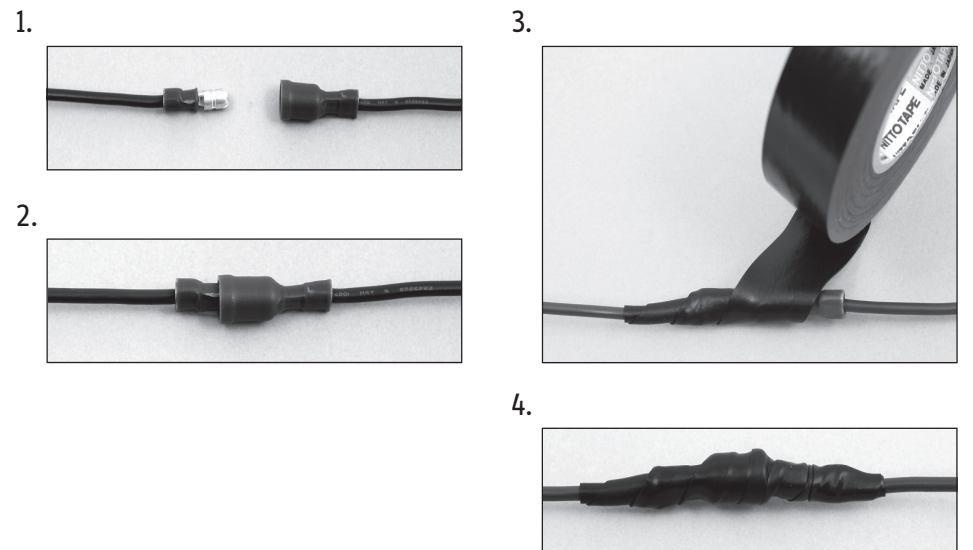


Note!

- Firmly tie back and secure any wires not used in order to avoid possibility for mutual shorting or shorting to ground!
- To ensure waterproof sealing: If the surface isn't plane and/or rigid remove the gasket and seal with silicone sealant between the VHF and the surface.

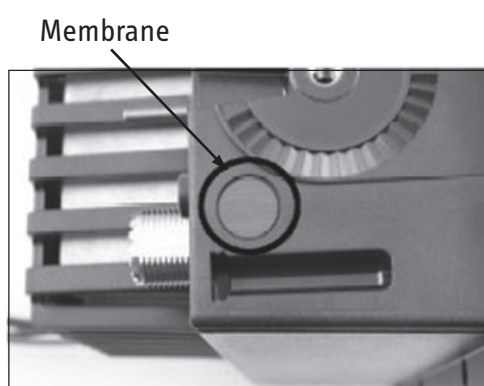
Cable assembly for waterproof installation

Connect the 4 cable connections with rubber vulcanizing tape as shown

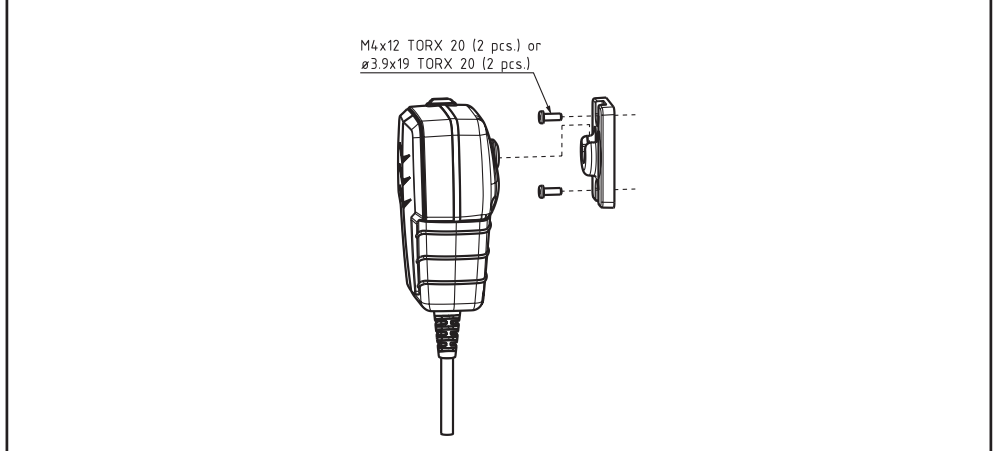


Very important information!

Do not remove the membrane.
If you remove the membrane the radio will not be waterproof.



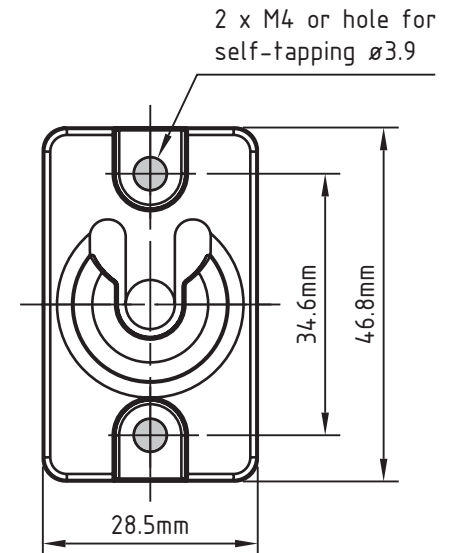
How to install the handmicrophone cradle



SAILOR 6210 VHF

Mounting template for handmicrophone cradle

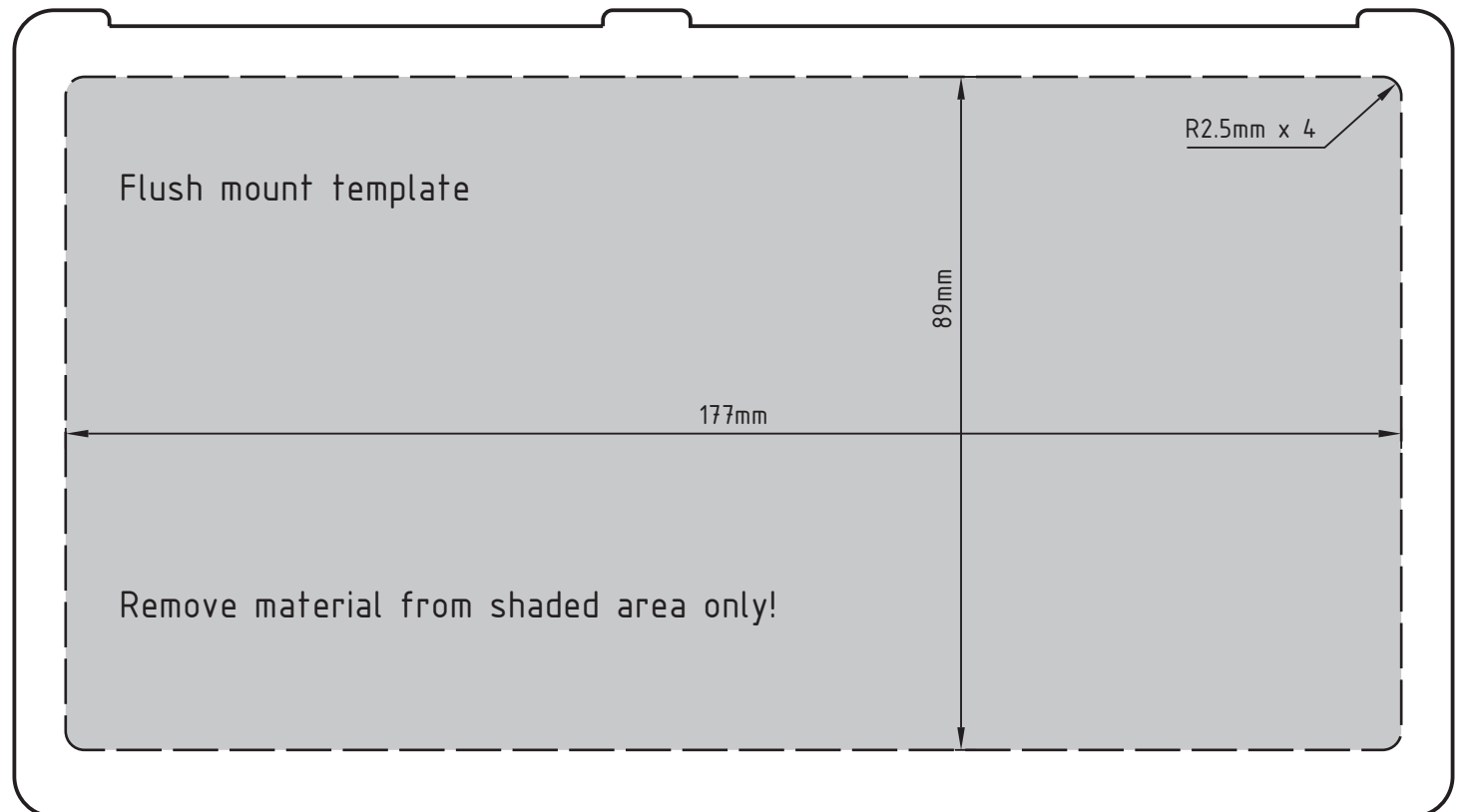
IMPORTANT!
If this template was printed from an electronic file or copied, scaling (1:1) may not be correct. Consequently do not attempt to use a printed or copied template without prior checking of dimensions.



Scale 1:1

Cutout template for flush mounting of the VHF

IMPORTANT!
If this template was printed from an electronic file or copied, scaling (1:1) may not be correct. Consequently do not attempt to use a printed or copied template without prior checking of dimensions.



Scale 1:1

System Configuration - Example

